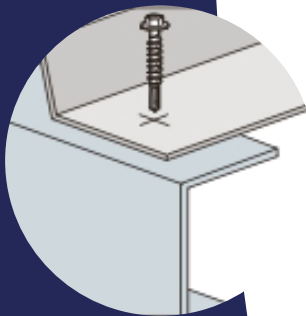




## APPLICATION

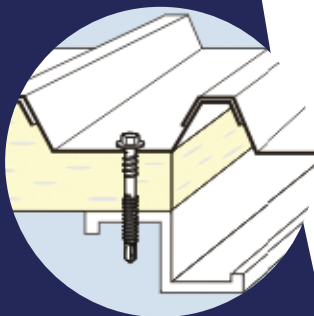
Hex head carbon steel self drilling screws are used to fasten sheet metal to steel purlins and rails.



Thread dia : #14 (6.3mm)

Thread type : Coarse("A"), fine("AB"), machined ("C") depending upon drill capacity

Length : 1" - 9" (25mm - 225mm)



Drill Point	Drill Thickness	Recommended drive speed
#2	1.5 - 3.5mm	1800 - 2000 RPM
#3	2.0- 5.0mm	1800 - 2000 RPM
#5	6.0 - 12.5mm	1800 - 2000 RPM

**Washer** : Carbon steel 16mm and 19mm bonded to EPDM seal.