

PSL SS410 Grade Self Drilling Screws



APPLICATION

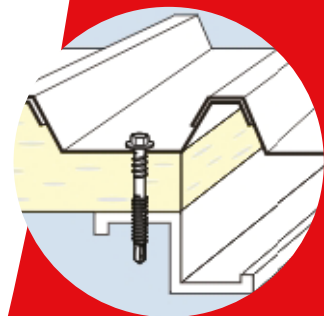
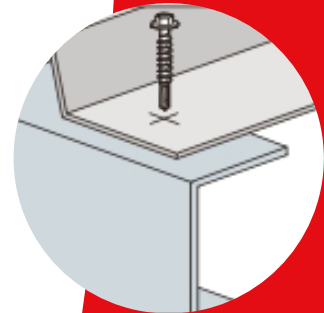
Hex head Stainless Steel grade 410 self drilling screws are used to fasten sheet metal to steel purlins and rails.



Thread dia : #14 (6.3mm)

Thread type : Coarse("A"), fine("AB"), machined ("C") depending upon drill capacity

Length : 1" - 9" (25mm - 225mm)



Drill Point	Drill Thickness	Recommended drive speed
#2	1.5 - 3.5mm	Max. 1800 RPM
#3	2.0- 5.0mm	Max. 1800 RPM
#5	6.0 - 12.5mm	Max. 1800 RPM

Washer : Stainless steel 16mm and 19mm bonded to EPDM.